

wireless

LS50X

WIRELESS GAMING HEADSET
WITH BLUETOOTH



USER GUIDE

SETUP

1



2



3



IMPORTANT

XBOX ONE

To complete setup for Xbox One and enable surround sound go to:



<http://bit.ly/30IQUMj>

FAQ

The LS50 headset has two modes for volume control:

Gaming Control Mode

Left volume wheel controls the level of the incoming audio from the dongle (connected to your Xbox One).

Bluetooth Control Mode

Left volume wheel controls the volume level of the audio coming from your Bluetooth device.

To switch between the two control modes, press and hold the left earcup button for 1 second.

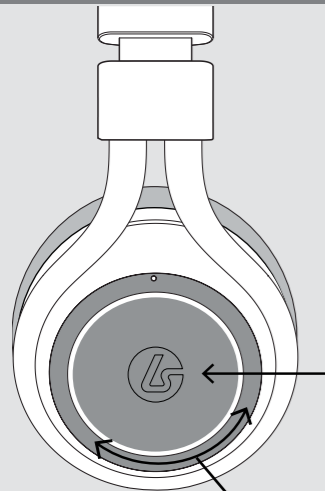


<http://bit.ly/2ZpBuzK>

HEADSET



[L]



Bluetooth LED

- Solid = Connected
- Slow Blink = Not Connected
- Double Blink = Pairing mode

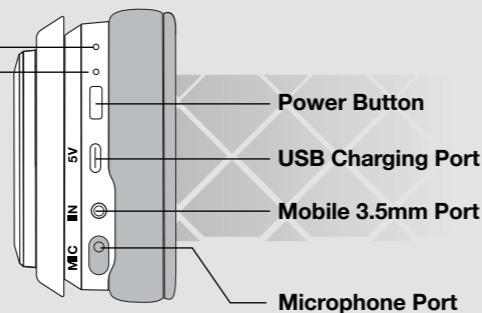
Power/Charging LED

- Solid = ON/Connected/Charged
- Slow Blink = Not Connected
- Pulsing = Charging

Center Button

- Press and hold for 1 second to toggle between Bluetooth and Gaming modes
- Double click to check battery level
- Audio mute in Gaming mode
- Play/Pause/Answer/Hangup in Bluetooth mode

Volume Wheel



Power Button

USB Charging Port

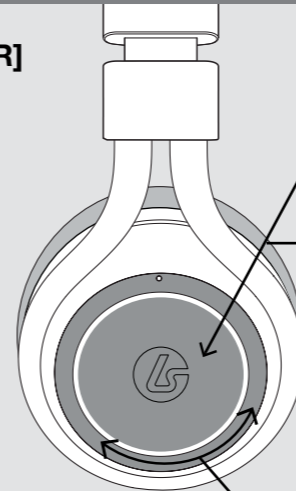
Mobile 3.5mm Port

Microphone Port

HEADSET



[R]



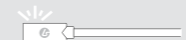
Mic Monitoring

- Mic Monitor On/Off = Press and hold for 3 seconds

Mic Mute

- Mute/Unmute = Short Press

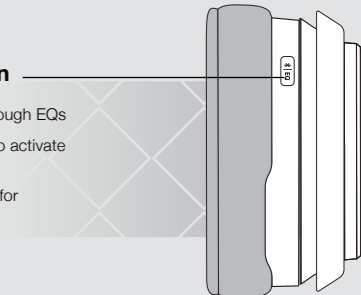
LED on Boom Mic illuminates when muted



Game / Chat Balance Bluetooth Track forward / Track back

EQ/Bluetooth button

- Press and release to cycle through EQs
- Press and hold for 1 second to activate Bluetooth voice assistant
- Press and hold for 4 seconds for Bluetooth pairing

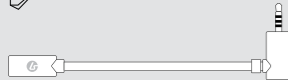


ACCESSORIES



1

Boom Mic



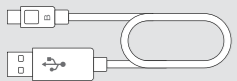
2

USB Base Station



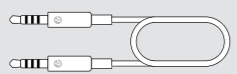
3

USB Charging Cable



4

3.5mm Cable



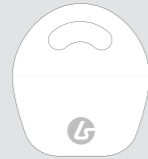
5

Mic Port Cover

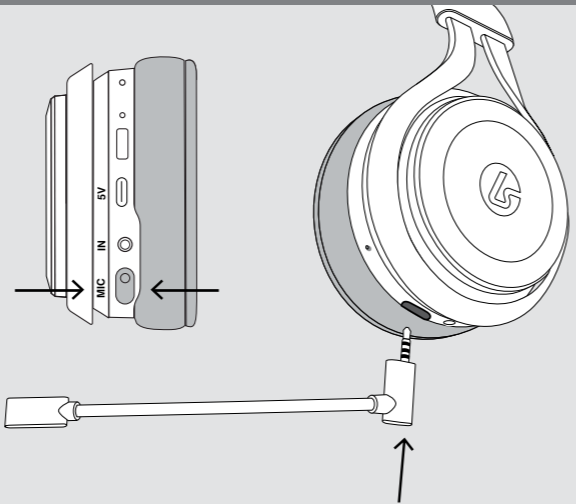


6

Travel Case



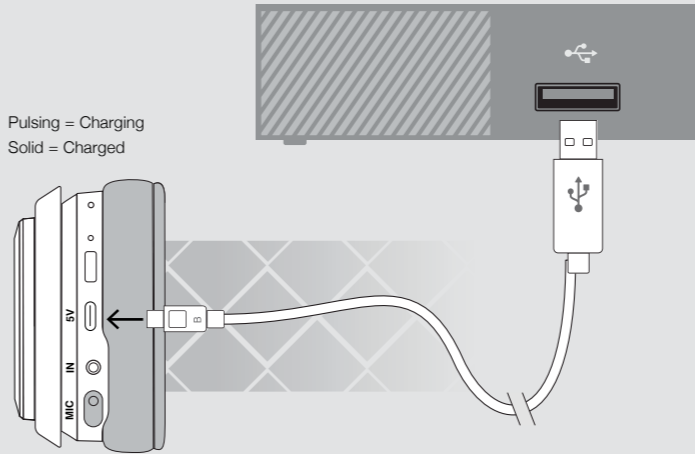
MICROPHONE



CHARGING



Pulsing = Charging
Solid = Charged



MOBILE SETUP



Press and hold the EQ/BT button for 4 seconds to enter pairing mode
Search for Bluetooth devices on mobile phone and choose "LucidSound LS50"

Dongle Model No: LS50XTX **FCC ID:** 2AGZW06430 **IC ID:** 21203-06430
Headset Model No: LS50RX **FCC ID:** 2AGZW03595 **IC ID:** 21203-03595

RF Frequency: 2.40335 GHz to 2.47935 GHz
Output Power: TX = 5.83 dBm RX = 3.58 dBm
Manufacturer: LucidSound, Inc.

Importer: Information can be found at lucidsound.com

FCC Statement

This equipment has been tested and found to comply with the limits for a Class B digital device, pursuant to part 15 of the FCC rules. These limits are designed to provide reasonable protection against harmful interference in a residential installation. This equipment generates, uses and can radiate radio frequency energy and, if not installed and used in accordance with the instructions, may cause harmful interference to radio communications. However, there is no guarantee that interference will not occur in a particular installation. If this equipment does cause harmful interference to radio or television reception, which can be determined by turning the equipment off and on, the user is encouraged to try to correct the interference by one or more of the following measures:

- Reorient or relocate the receiving antenna.
- Increase the separation between the equipment and receiver.
- Connect the equipment into an outlet on a circuit different from that to which the receiver is connected.
- Consult the dealer or an experienced radio/TV technician for help.

This equipment complies with Part 15 of the FCC Rules. Operation is subject to the following two conditions:

- (1) This device may not cause harmful interference, and
- (2) This device must accept any interference received, including interference that may cause undesired operation.

This device complies with FCC SAR exposure limits set forth for an uncontrolled environment. The equipment can be used in close proximity to the human body without any restrictions.

Caution!

The manufacturer is not responsible for any radio or TV interference caused by unauthorized modifications to this equipment. Such modifications could void the user authority to operate the equipment.

This device complies with FCC exposure limits set forth for an uncontrolled environment

Industry Canada Statement

This device complies with Industry Canada licence-exempt RSS standard. Operation is subject to the following two conditions: (1) this device may not cause interference, and (2) this device must accept any interference, including interference that may cause undesired operation of the device.

Le présent appareil est conforme aux CNR d'Industrie Canada applicables aux appareils radio exempts de licence. L'exploitation est autorisée aux deux conditions suivantes : (1) l'appareil ne doit pas produire de brouillage, et (2) l'utilisateur de l'appareil doit accepter tout brouillage radioélectrique subi, même si le brouillage est susceptible d'en compromettre le fonctionnement.

IC Radiation Exposure Statement:

This equipment complies with IC RSS-102 radiation exposure limit set forth for an uncontrolled environment. This equipment should be installed and operated with minimum distance 0.5 cm between the radiator and your body.

Cet équipement est conforme aux CNR-102 d'Industrie Canada. Cet équipement doit être installé et utilisé avec une distance minimale de 0.5 centimètres entre le radiateur et votre corps. Cet émetteur ne doit pas être co-localisées ou opérant en conjonction avec autre antenne ou émetteur. Les antennes utilisées pour cet émetteur doivent être installés et fournir une distance de séparation d'au moins 0.5 centimètre de toute personne et doit pas être co-située ni fonctionner en conjonction avec une autre antenne ou émetteur.

IC Radiation Exposure Statement:

This equipment complies with IC RSS-102 radiation exposure limits set forth for an uncontrolled environment. This equipment should be installed and operated with minimum distance 0 cm between the radiator and your body.

Warranty

LucidSound, Inc. warrants this product to be free from defects in materials and workmanship for the warranty period. This non-transferable, 1-year limited warranty is only to you, the first end-user purchaser. If a defect covered by this warranty occurs AND you provide proof of purchase, LucidSound, Inc., at its option, will repair or replace the product at no charge (excluding shipping).

The LucidSound, Inc., 1-year limited warranty is available to customers worldwide. Your sole and exclusive remedy is repair or replacement of your LucidSound product. In no event shall LucidSound's liability exceed the original purchase price of the product. This warranty does not apply to: (a) normal wear and tear or abusive use; (b) industrial, professional or commercial use; (c) if the product has been tampered with or modified. This non-transferable warranty is only valid in the region/country in which the headset was originally purchased.

To receive warranty service, please contact us at:

lucidsound.com
(toll free) 888-661-4469
1-760-579-6969

©2019 Lucid Sound, Inc. 5939 Darwin Ct., Suite 100, Carlsbad, CA 92008 U.S.A. Microsoft, Xbox, Xbox "Sphere" Design, Xbox One, and Windows are trademarks of the Microsoft group of companies. All other trademarks are the property of their respective owners. The shape and design of this product are a trade dress of Lucid Sound, Inc., its subsidiaries and affiliates. All rights reserved. All other product names and images are trademarks or registered trademarks of their respective owners. Made in China. Product features, appearance and specifications may be subject to change without notice. Please retain this information for future reference.